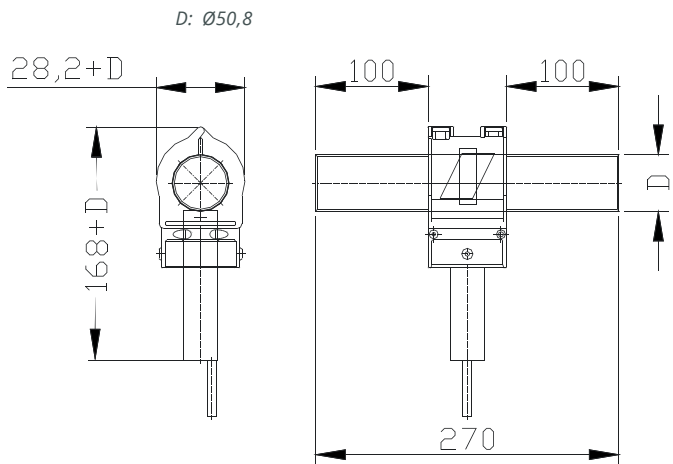
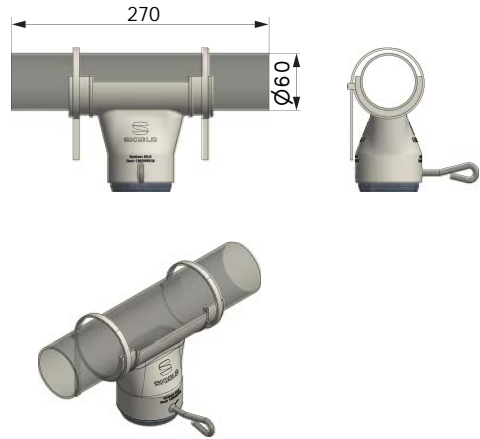


STOP SYSTEMS



Ø60:



SKIOLD MAKES THE DIFFERENCE!

Weight : 0,5 kg

All measures in mm.

SENSOR OVERVIEW:

Previous sensor	DOL33RR230V	DOL33RR24VAC	DOL33R230V	DOL33R24VAC
Description	With timer	With timer	With timer	With timer
Voltage	230V	24V	230V	24V
New sensor	VC11RT230 (140 601 070 105)	VC11RT924 (140 601 070 100)	VC12RT230 (140 601 070 170)	VC12RT924 (140 601 070 120)
TP0	(✓)			
TP0 M	✓			
TP1	(✓)	(✓)		
TP2	(✓)	(✓)		
TP3		(✓)		
MultiPork		✓		
Hopper			✓	✓
Ø50,8 complete	140 601 075 088	140 601 075 089	140 601 075 084	140 601 075 086
Ø60 complete	140 601 076 008	140 601 076 009	140 601 076 004	140 601 076 006
Relocatable sensor	140 601 070 015		140 601 070 020	

() = can be used, but is not standard. As safety sensor, use VC11RT230.



Stop systems

To identify the suitable sensor, first define the control unit and the voltage in question. After this, the pipe diameter is defined, and the item number corresponding to all 3 variables is selected

Included in the stop system are:

- 1 capacitive sensor
- 1 feed drop
- 1 tube for sensor
- 2 tube joints

All parts are supplied in a plastic bag.

When ordering relocatable sensors; please order minimum 2 mounting kits for relocatable sensors separately:

Mounting kit for relocatable sensor:					
Item number	140 601 070 380	140 601 070 450	140 601 070 508	140 601 070 600	140 601 070 630
Dimension	Ø38	Ø45	Ø50,8	Ø60	Ø63,5