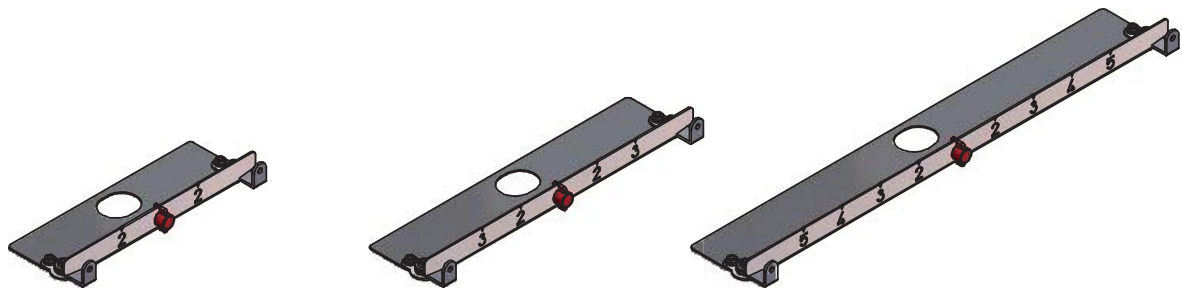




# SKIOLD PHASE FEEDING SHUTTER "LF"



SKIOLD MAKES THE DIFFERENCE!

| Article no.  | Text  | Center distance between shutter |
|--------------|---|---------------------------------|
| 140137000200 | Complete phase feeding shutter without feed outlet, 2 phases "LF" | min. 230mm                      |
| 140137000300 | Complete phase feeding shutter without feed outlet, 3 phases "LF" | min. 460mm                      |
| 140137000500 | Complete phase feeding shutter without feed outlet, 5 phases "LF" | min. 690mm                      |

Phase feeding shutter 140137000300 can be used for yellow and blue feed outlets as well as volume dispensers.

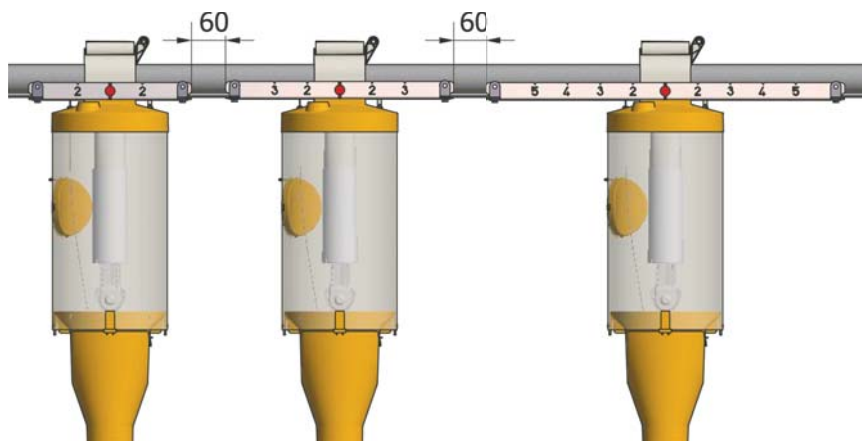
The travel between each phases is 57 mm.

Mentioned measures are minimum measures and must be observed during installation.

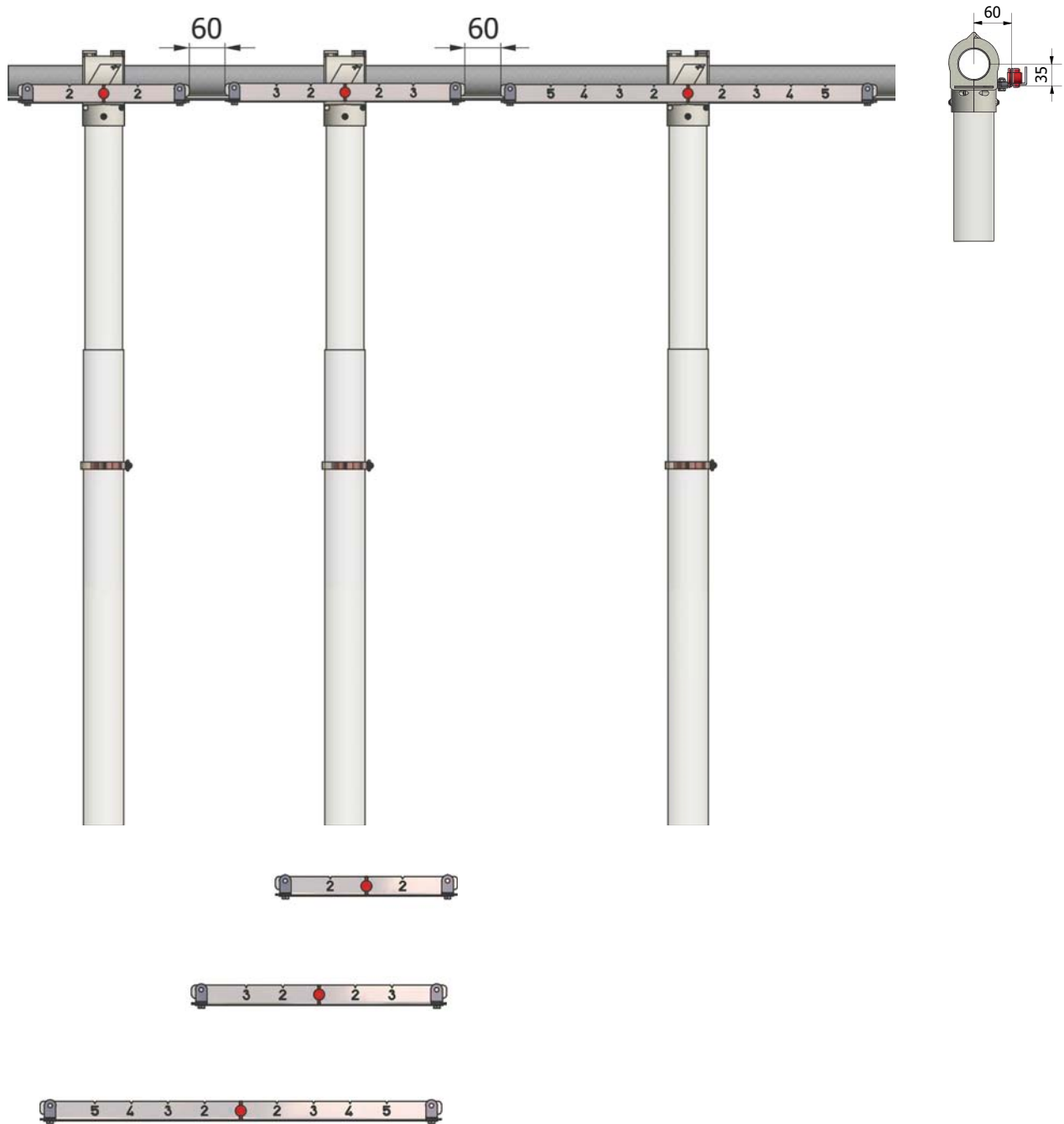
**\* ATTENTION**

Minimum distance must be increased by 60mm per phase when feeding with individual mixtures.

Eg. at 2, 3 and 5 phases.



Eg. at 2, 3 and 5 phases.



| Article no.  | Text   | Center distance between shutter |
|--------------|--|---------------------------------|
| 140167050820 | Feed outlet for phase feeding, Ø50,8 mm, telescopic, 2 phases "LF" | min. 230mm                      |
| 140167050830 | Feed outlet for phase feeding, Ø50,8 mm, telescopic, 3 phases "LF" | min. 460mm                      |
| 140167050850 | Feed outlet for phase feeding, Ø50,8 mm, telescopic, 5 phases "LF" | min. 690mm                      |
| 140167060020 | Feed outlet for phase feeding, Ø60 mm, telescopic, 2 phases "LF"   | min. 230mm                      |
| 140167060030 | Feed outlet for phase feeding, Ø60 mm, telescopic, 3 phases "LF"   | min. 460mm                      |
| 140167060050 | Feed outlet for phase feeding, Ø60 mm, telescopic, 5 phases "LF"   | min. 690mm                      |

Phase feeding shutter 140137000300 can be used for yellow and blue feed outlets as well as volume dispensers.

The travel between each phases is 57 mm.

Mentioned measures are minimum measures and must be observed during installation.

**\* ATTENTION**

Minimum distance must be increased by 60mm per phase when feeding with individual mixtures.