



TRANSPORK® CORNERS

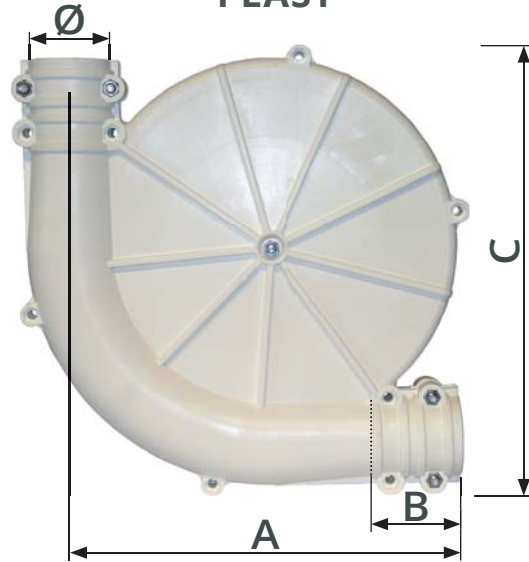


ALUMINUM



SKIOLD MAKES THE DIFFERENCE!

PLAST



Material	Casing	Cornerwheel	Shaft	Weight
Plast Ø50,8	Cast moulded plast	Cast moulded white plast	AISI 304 Stainless steel	1,9 Kg
Plast Ø60	Cast moulded plast	Cast moulded white plast	AISI 304 Stainless steel	3,0 Kg
Aluminum Ø50,8	Cast moulded aluminum	Electro-galvanized Steel	AISI 304 Stainless steel	4,4 Kg

Mounted with dustproof bearings.

Item number	140133050800	140133060000	140123050800
Description	Corner complete Ø50,8	Corner complete Ø60	Corner AL Ø50,8
Ø	50,8mm	60mm	Ø50,8mm
A	270,0mm	337,0mm	307,0mm
B	75,0mm	85,0mm	61,0mm
C	314,5mm	393mm	352,0mm

All measures in mm.

