



## SKIOLD LIQUID GRINDING DM6-WM



SKIOLD MAKES THE DIFFERENCE!

### **SKIOLD LIQUID GRINDING TYPE DM6-WM**

Feed hygiene at its peak – and no feed remnants  
Automatic cleaning inside mill after each grinding

No water waste

Capacity up to 2000 kg/hour

Hammer mill in stainless steel

Longer life of wearing parts

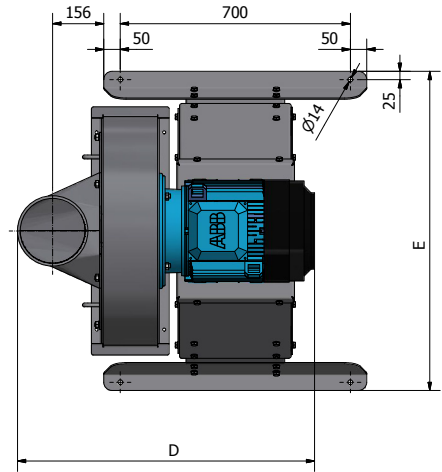
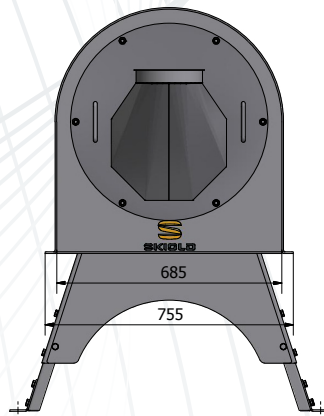
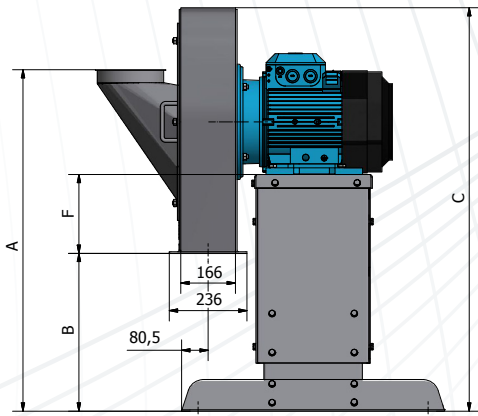
Large range of screen sizes

11 - 18.5 kW motor

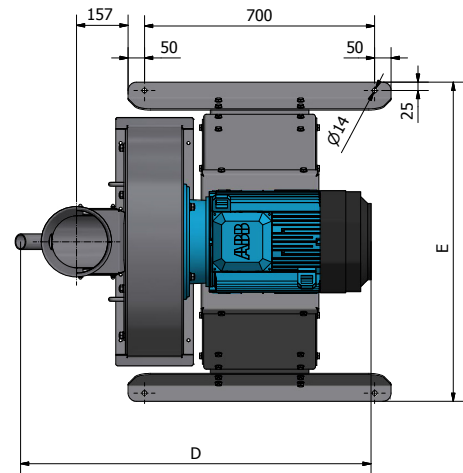
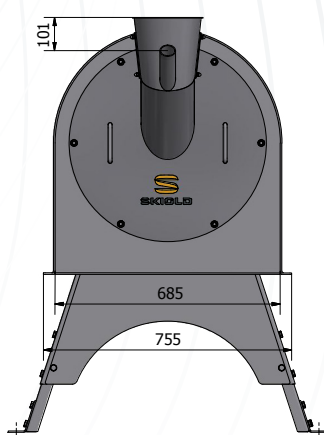
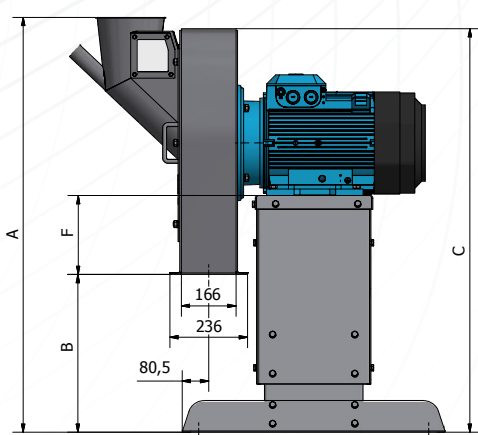


# SKIOLD HAMMER MILL DM6-WM

DM6-WM - Peripheral inlet



DM6-WM - Center inlet



## TECHNICAL SPECIFICATIONS

### DM6-WM

Motor:	11 - 15 - 18.5 kW 2800 rpm
Screen area:	2700 cm <sup>2</sup>
Screen types:	Plate screen
Number of hammers:	28/40
Noise level:	Approx. 85 dBa
Shipping weight:	255 - 265 - 280 kg
Guiding capacity kg/h:	500-2000

## CAPACITY

Measured in moist maize grain, max. kg/h  
at motor sizes 11 - 15 - 18.5 kW

Plate screen	Maize
Ø 6 mm	Guiding cap. 500-2000 kg/h
Ø 8 mm	
Ø 10 mm	
Ø 12 mm	
Ø 14 mm	
Ø 16 mm	

The capacity varies depending on screen size, motor size, moisture contents and sort of grain

Measure Sketch DM6-WM (Peripheral inlet):

DM6-WM	A	B	C	D	E	F
11 kW	1040-1310	480-750	1230-1500	982	971-	240
15 kW					1146	
18,5 kW				1037		

Measure Sketch DM6-WM (Center inlet):

DM6-WM	A	B	C	D	E	F
11 kW	1262-1532	480-750	1230-1500	1046	971-1146	240
15 kW				1101		
18,5 kW						

The mill model DM6-WM is designed for grinding of especially moist maize (more than 40% moisture contents). DM6-WM is made of stainless material – except from the hammers – and with extra tightening at the motor shaft.